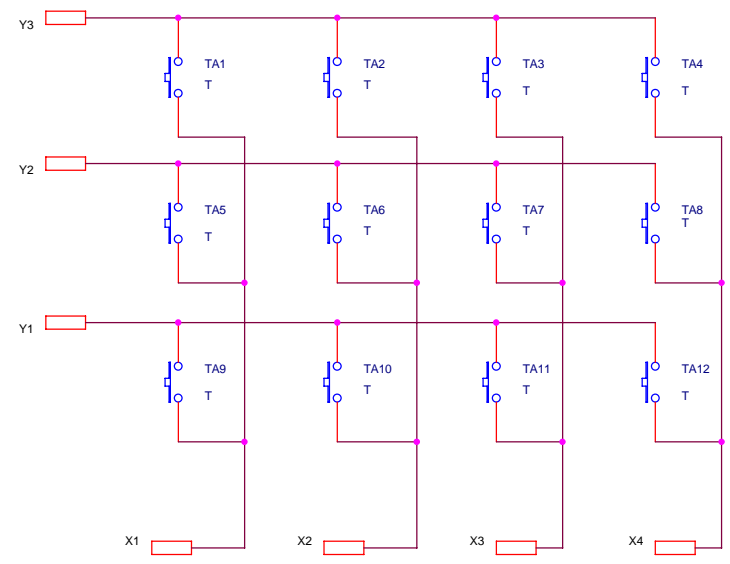
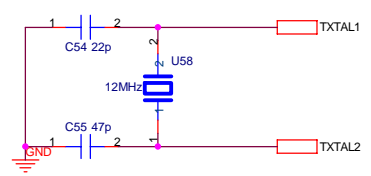


Tastatur

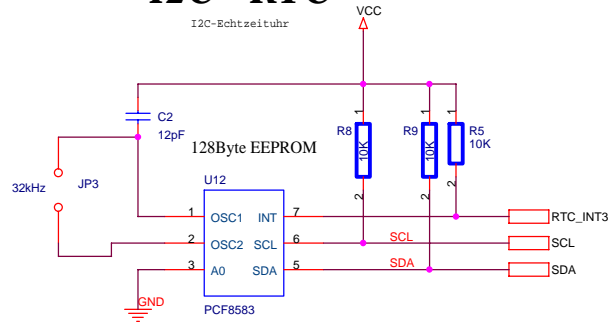


XTAL



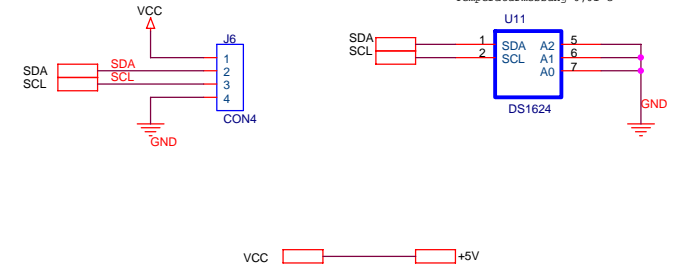
I2C - RTC

I2C-Echtzeituhr

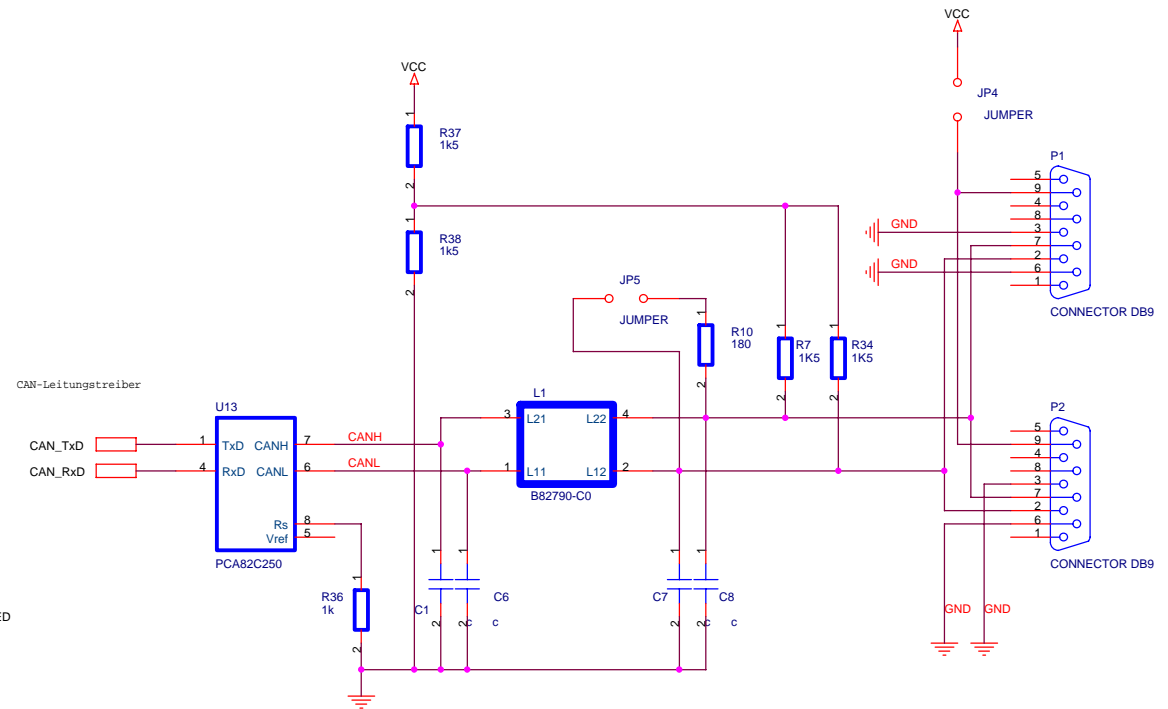
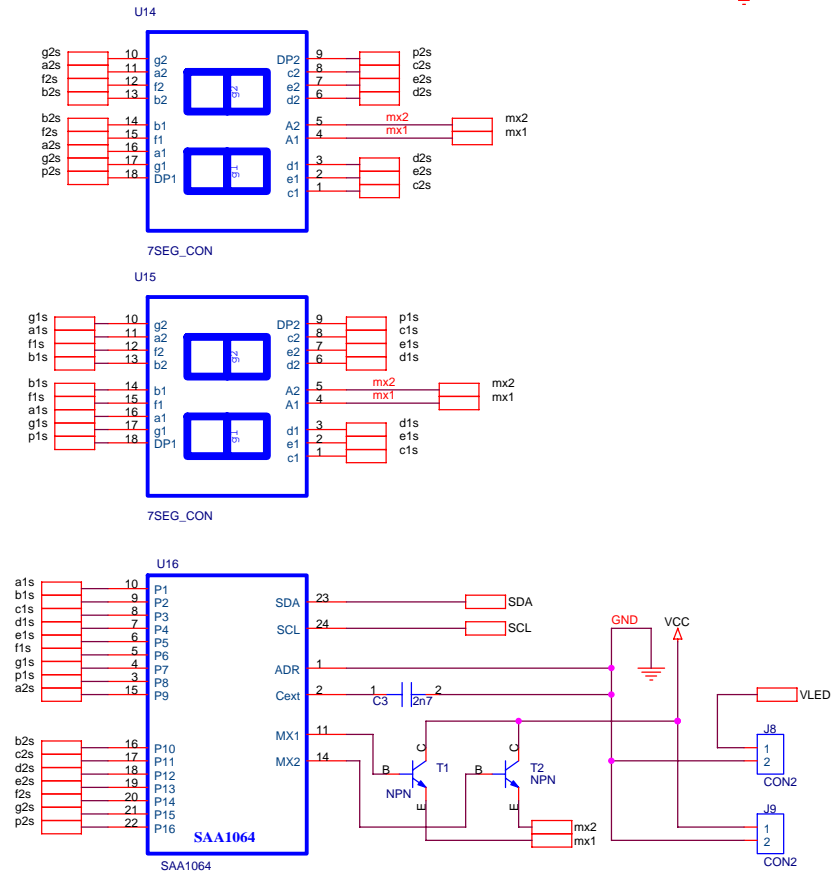


I2C - Temperaturmessung

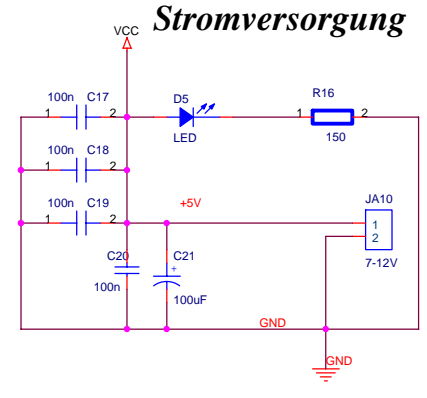
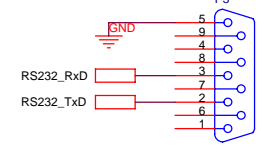
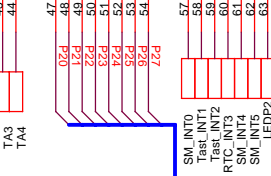
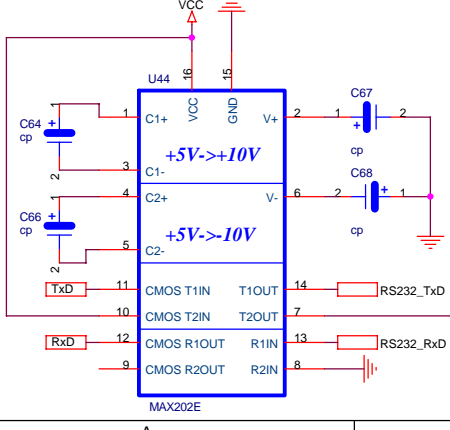
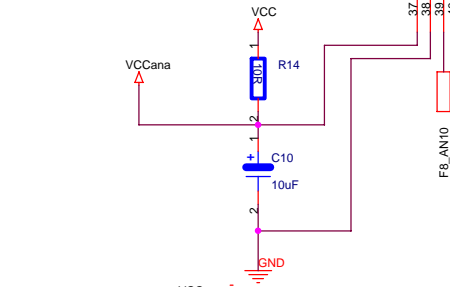
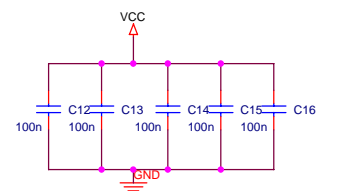
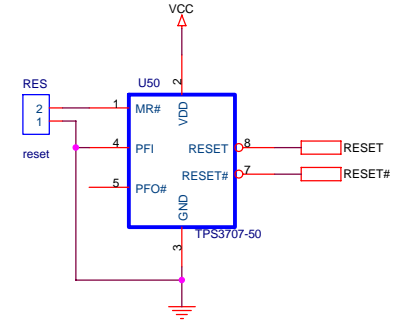
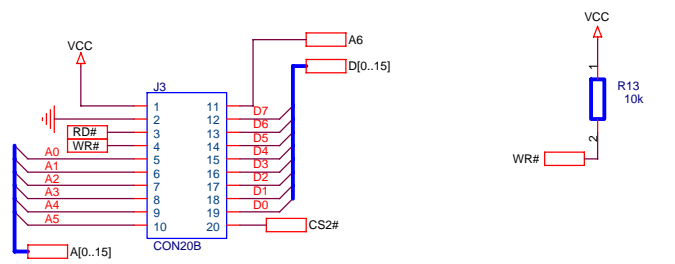
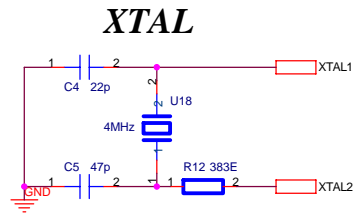
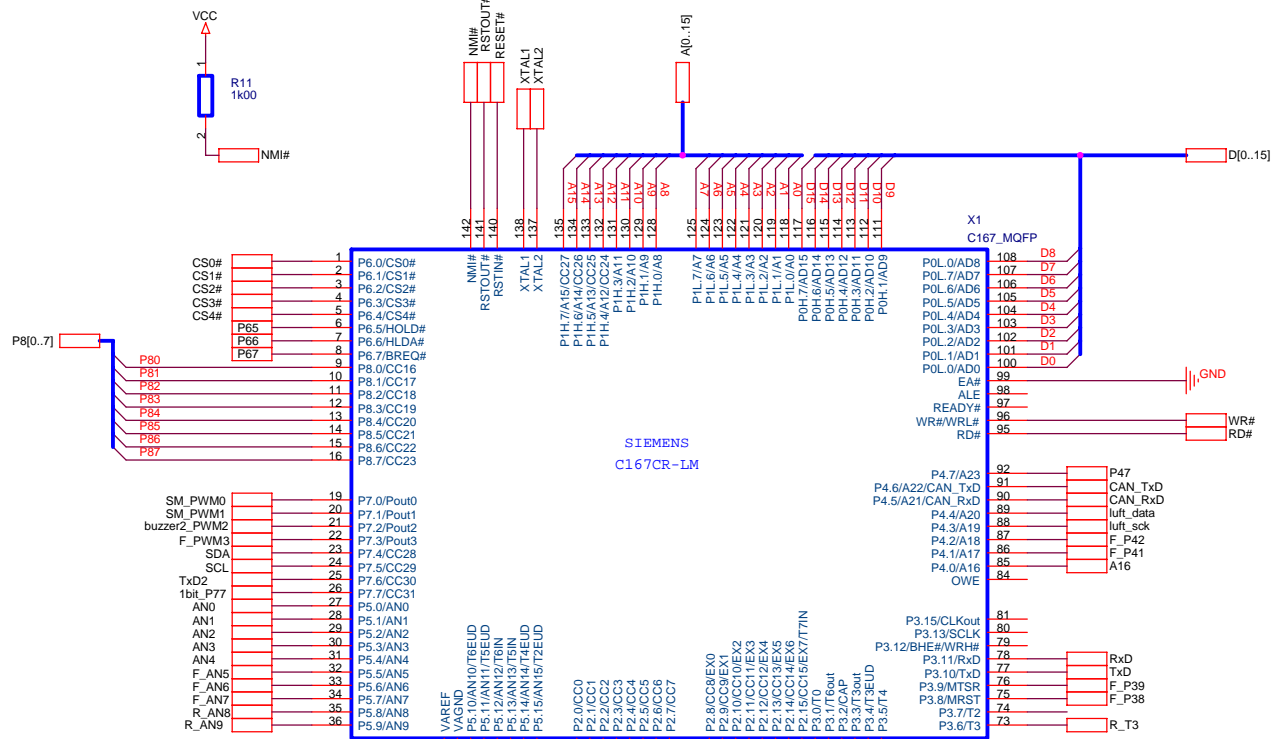
Temperaturmessung 0,01°C



I2C - Display

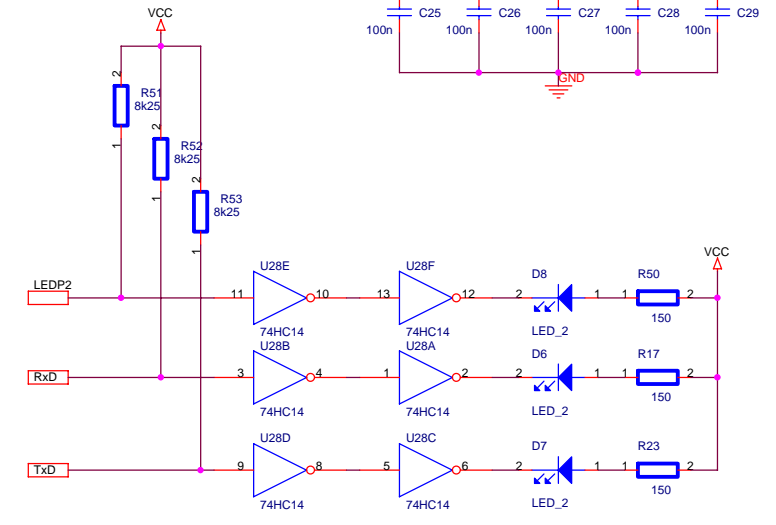
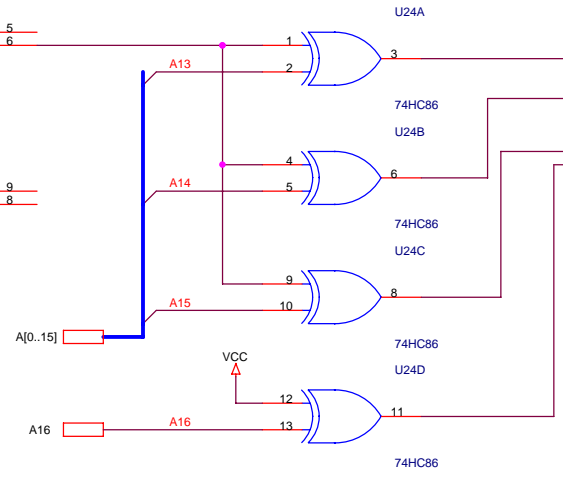
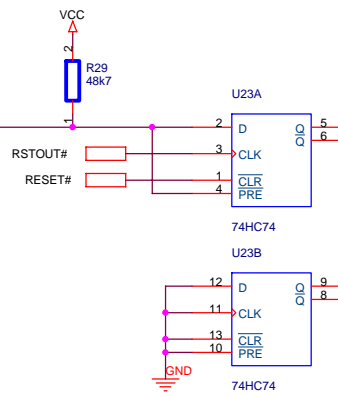
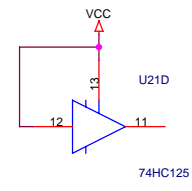
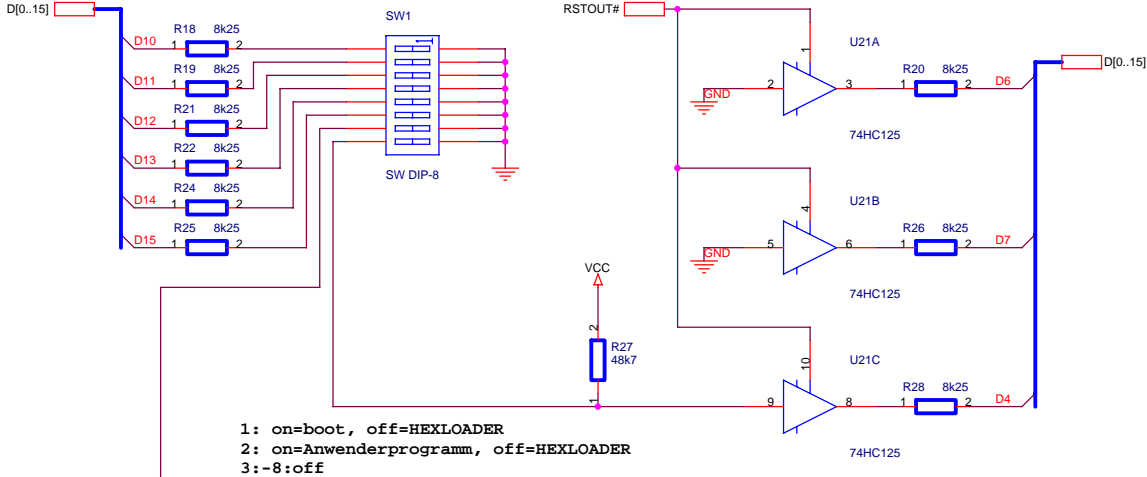


Title			C167 - I2C - CAN
Size	Document Number		
A3	CAMPUS02 / Dr. Humer		Rev 1.0
Date:	Friday, March 25, 2005	Sheet 3 of 6	

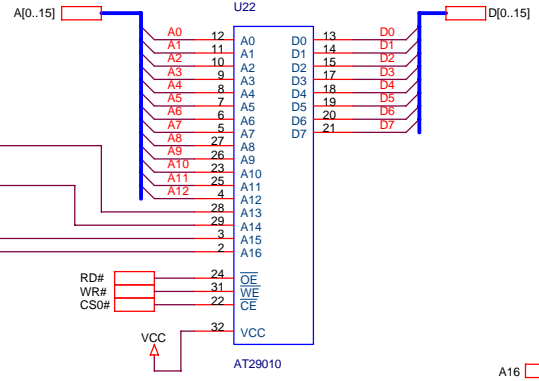


Title			C167-Board - Kernel
Size	Document Number		
A3	CAMPUS02 / Dr. Humer		Rev 1.0
Date:	Friday, March 25, 2005	Sheet	4 of 6

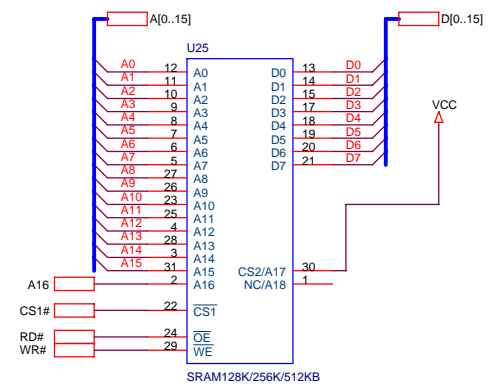
Modusauswahl



Flash (Atmel)

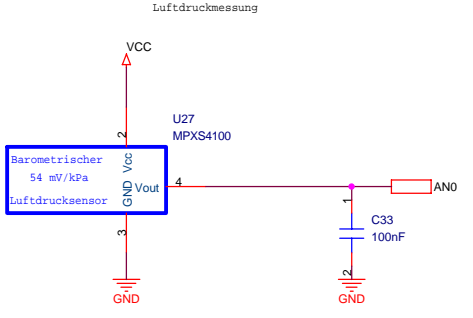


128kB SRAM

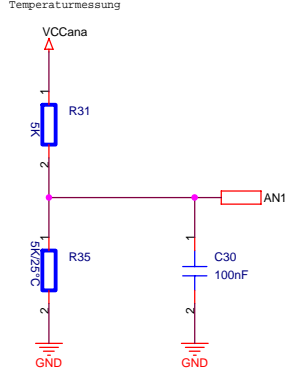


Title		
C167 - Memory		
Size	Document Number	Rev
A3	CAMPUS02 / Dr. Humer	1.0
Date:	Friday, March 25, 2005	Sheet 5 of 6

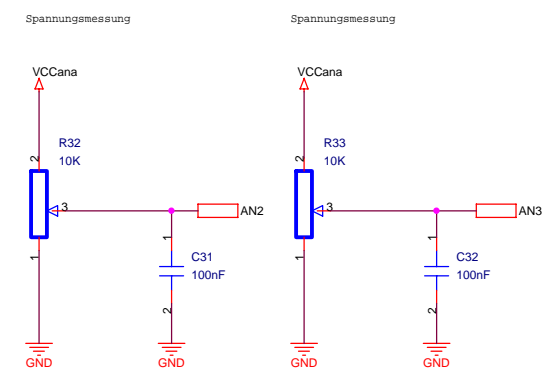
barometric pressure sensor unit



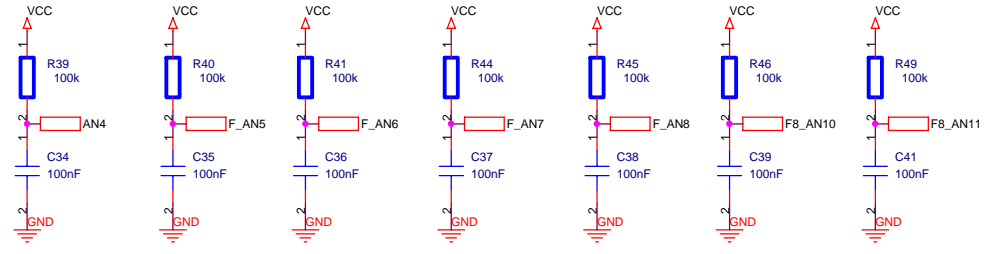
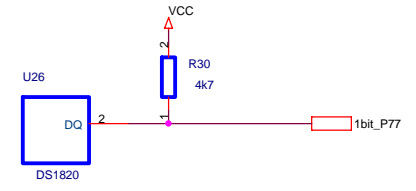
NTC



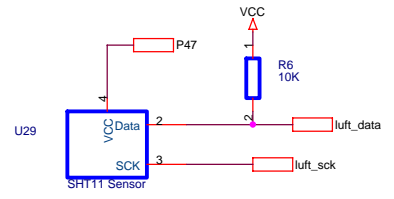
Potentiometer



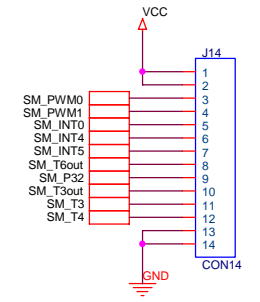
Temperatursensor (1bit-Bus)



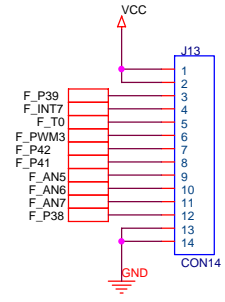
Luftfeuchtemessung



Schrittmotoranschluss



Stecker



Title			C167 - Sensorik
Size	Document Number	Rev	
A3	CAMPUS02 / Dr. Humer	1.0	
Date:	Friday, March 25, 2005	Sheet	6 of 6