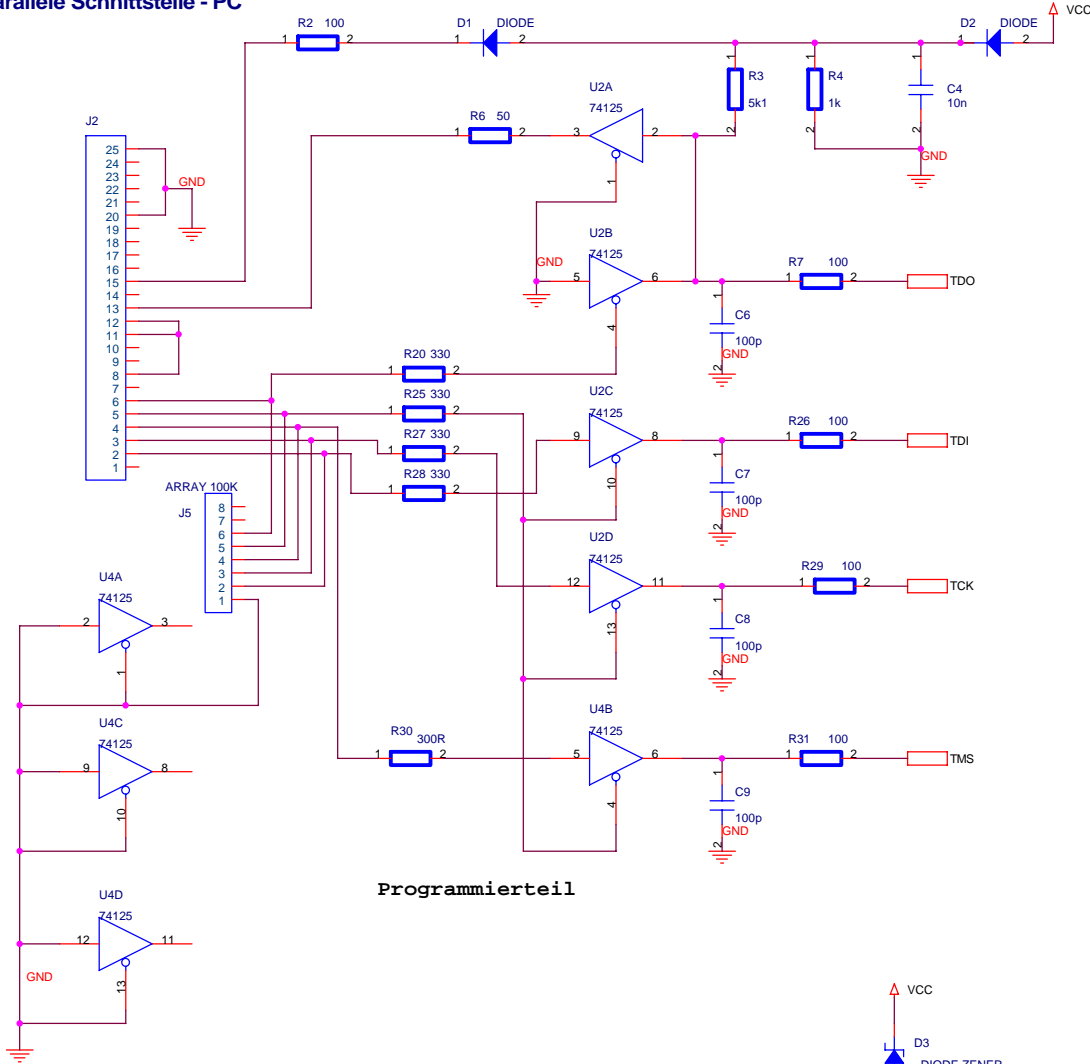
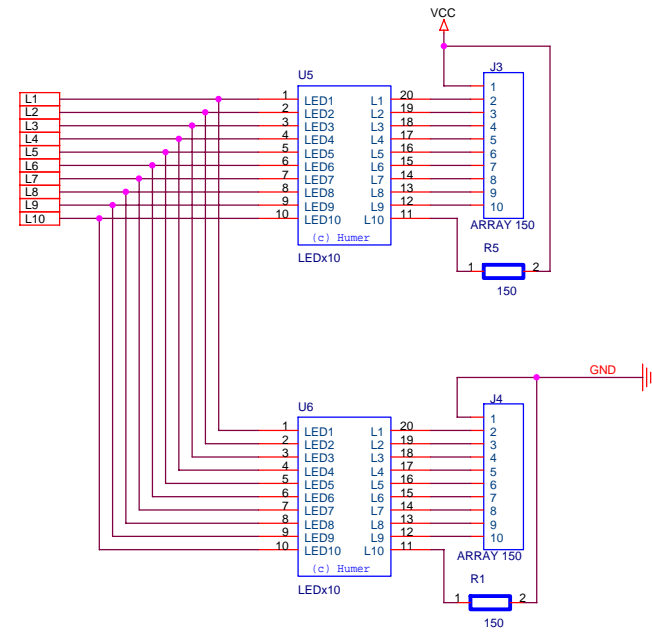
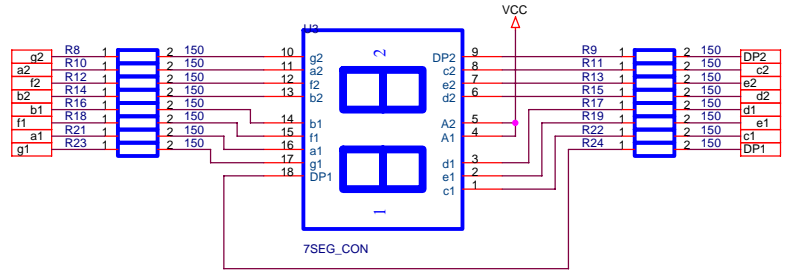
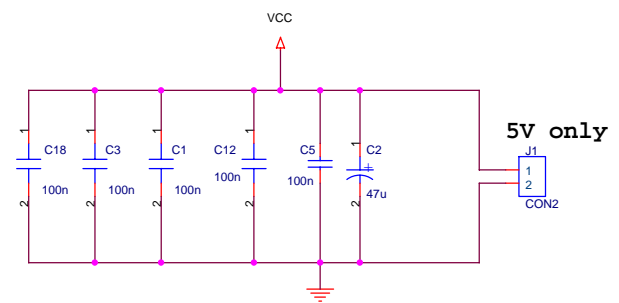
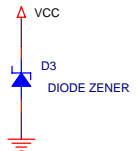


parallele Schnittstelle - PC

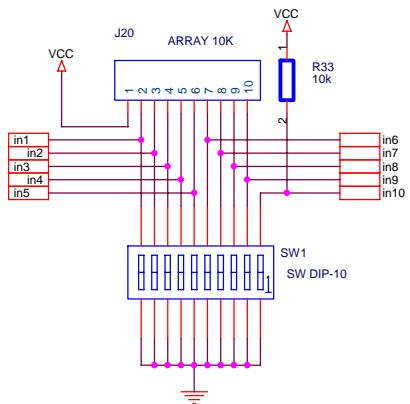
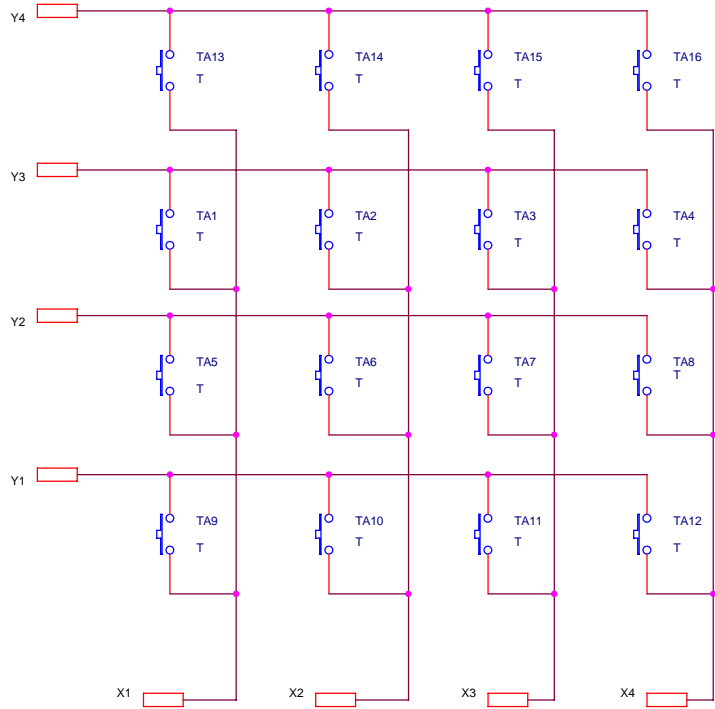


Programmierteil

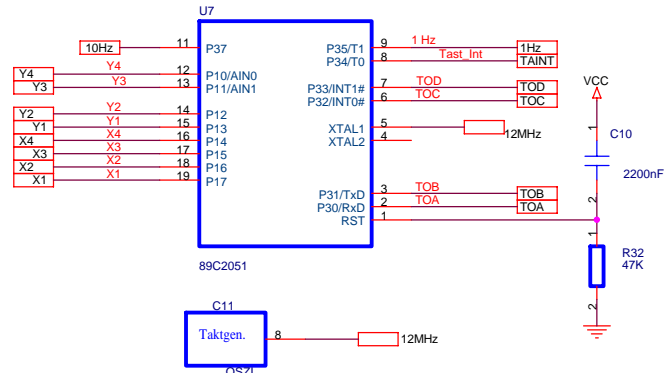
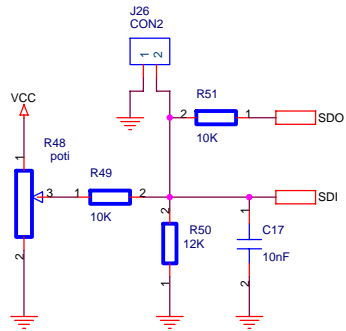


| | | | | | |
|-------|----------------------|-------|------------------------|----|-----|
| Title | | | CPLD Board 2004 | | |
| Size | Document Number | | Humer/Geiger | | Rev |
| A3 | | | | | 1.0 |
| Date: | Sunday, May 02, 2004 | Sheet | 1 | of | 3 |

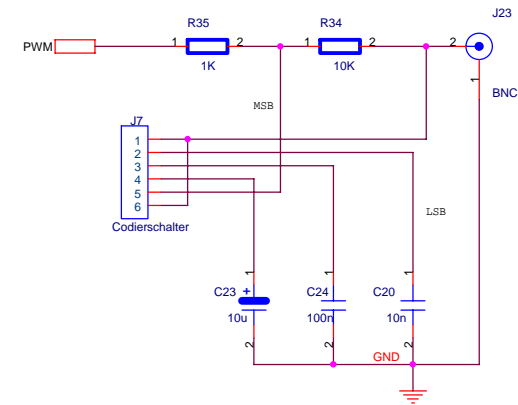
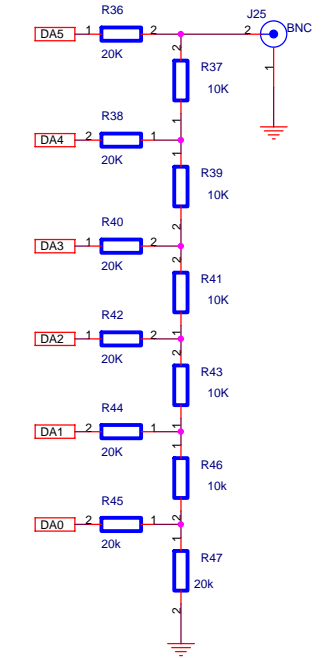
Tastaturmatrix



10 x Digital IN

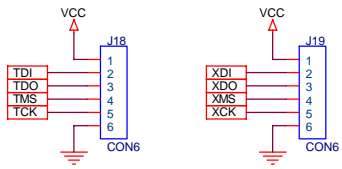


6 bit - DA-Umsetzer

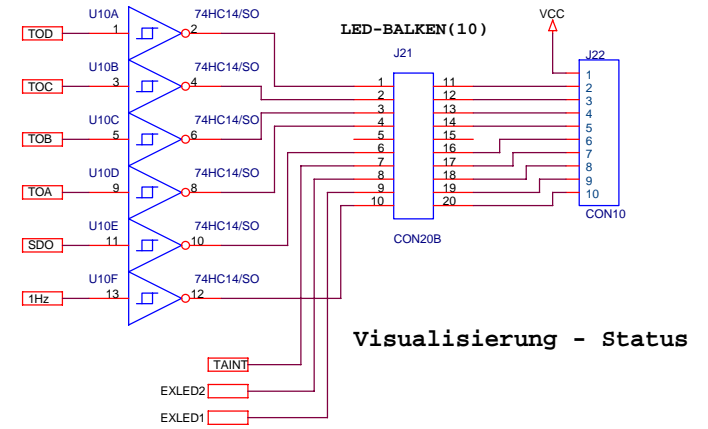
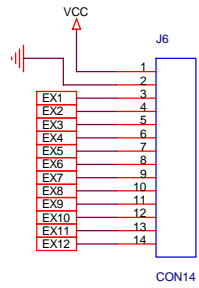


| | | | |
|-------|----------------------|------------------------|--------------|
| Title | | CPLD BOARD 2004 | |
| Size | A3 | Document Number | Humer/Geiger |
| Date: | Sunday, May 02, 2004 | Sheet | 2 of 3 |
| | | Rev | 1.0 |

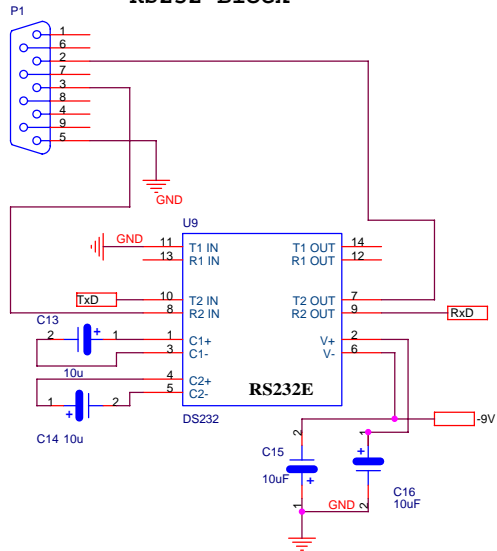
Programmer Intern/Extern



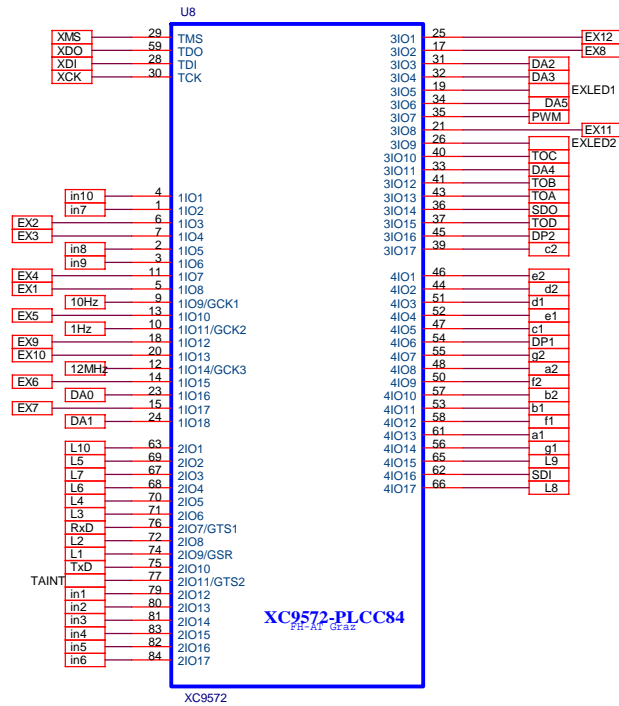
I/O-Erweiterung



RS232 Block



XILINX-CPLD



| | | | | | |
|-------|----------------------|-------|------------------------|----|-----|
| Title | | | CPLD-Board 2004 | | |
| Size | Document Number | | Humer/Geiger | | Rev |
| A3 | | | | | 1.0 |
| Date: | Sunday, May 02, 2004 | Sheet | 3 | of | 3 |