

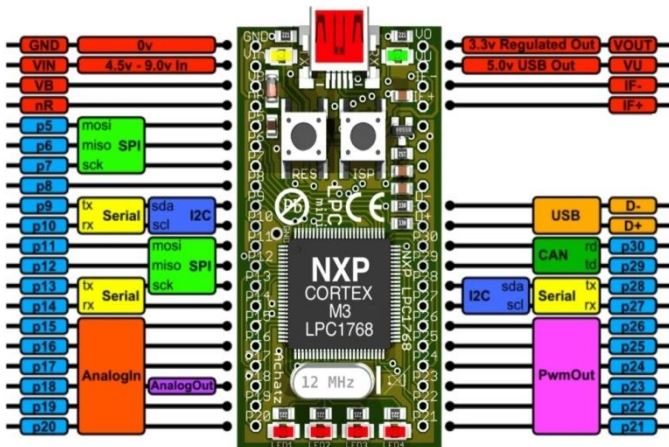
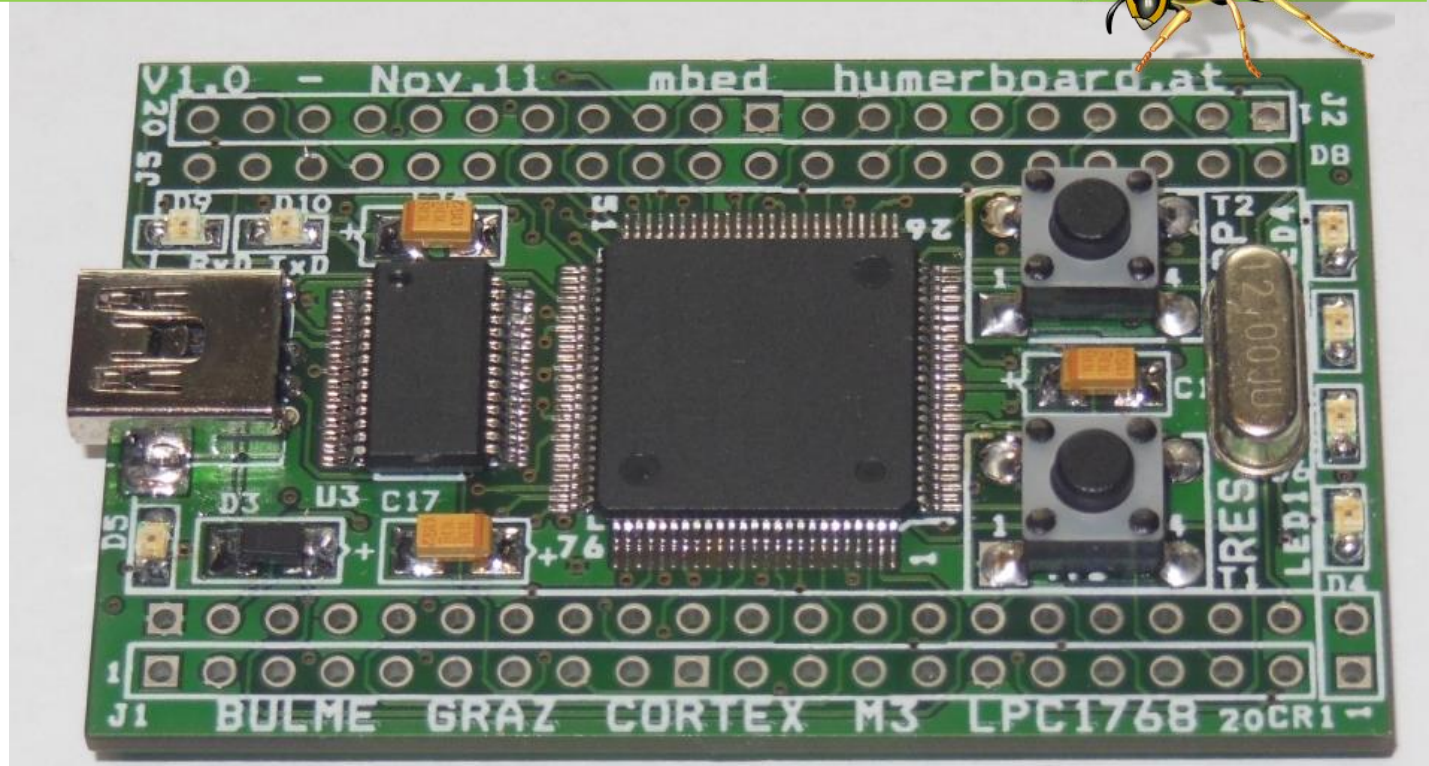
www.mbed.org

mbed
Online Compiler

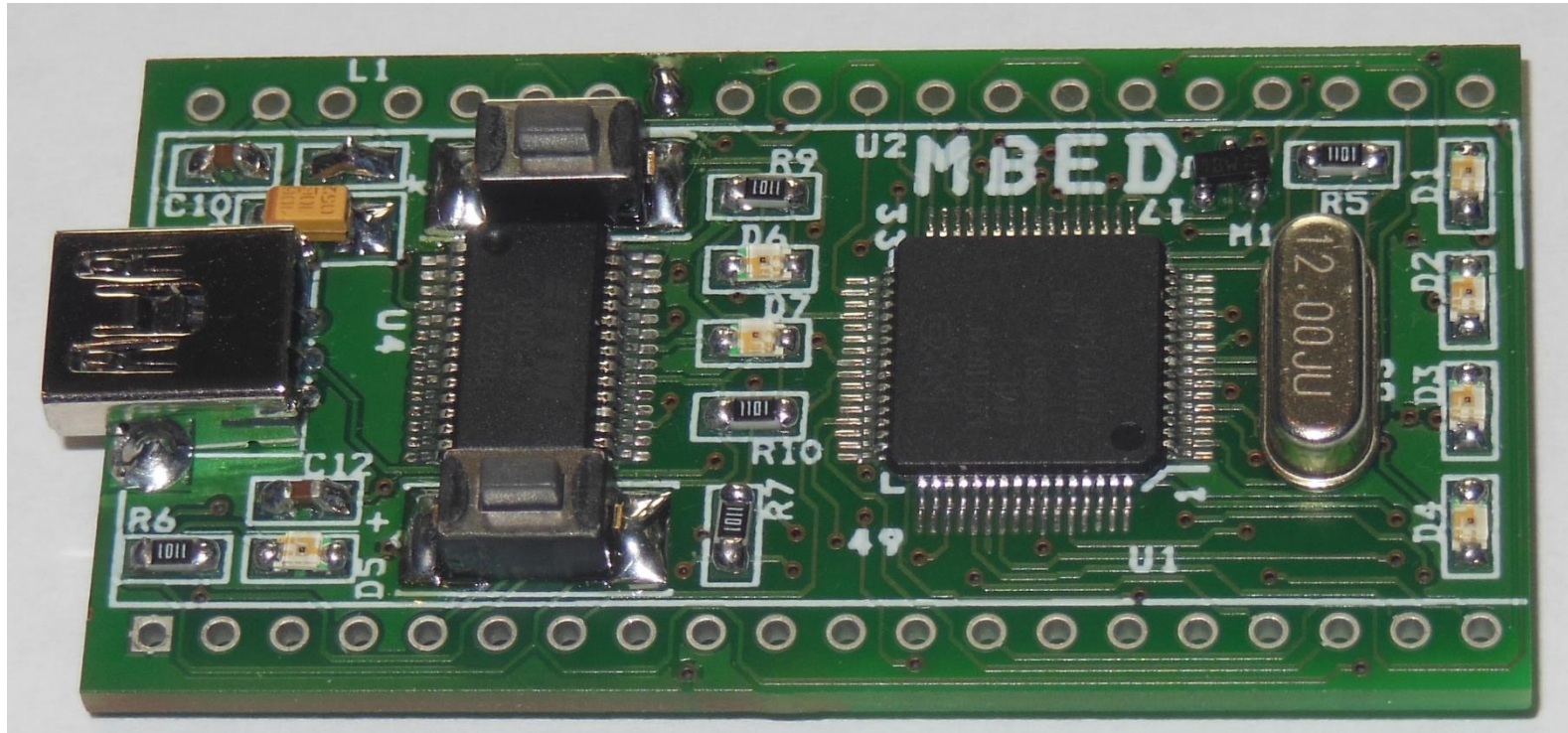


ARM-Cortex-M3
96MHz, 32KB RAM, 512KB FLASH

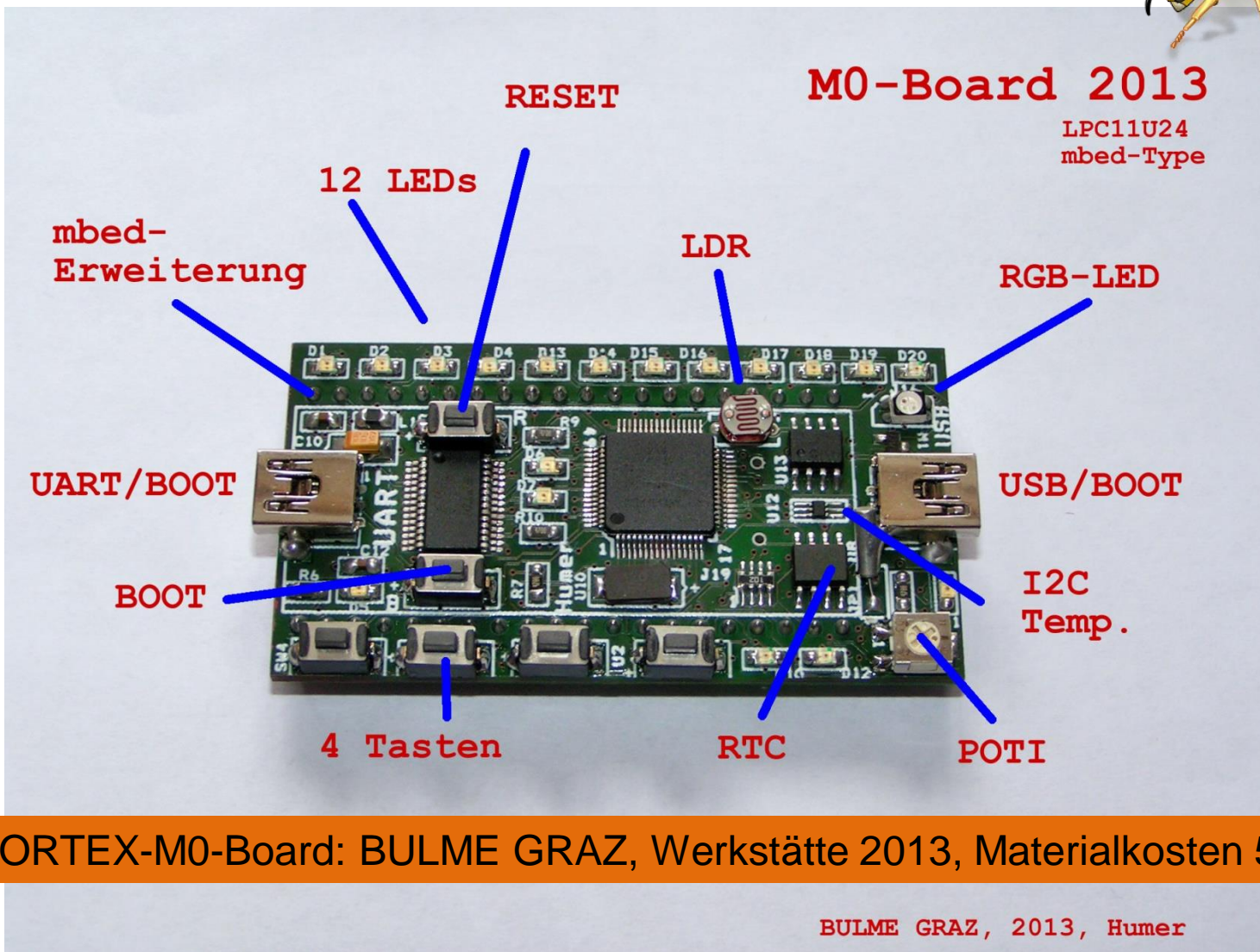
Ethernet, USB Host/Device, 2xSPI, 2xI2C, 3xUART,
CAN, 6xPWM, 6xADC, GPIO



Werkstättenprojekt, BULME GRAZ,
Bauteilkosten ca. €15,--
ARM-Cortex-M3, LPC1768
96MHz, 32KB RAM, 512KB FLASH



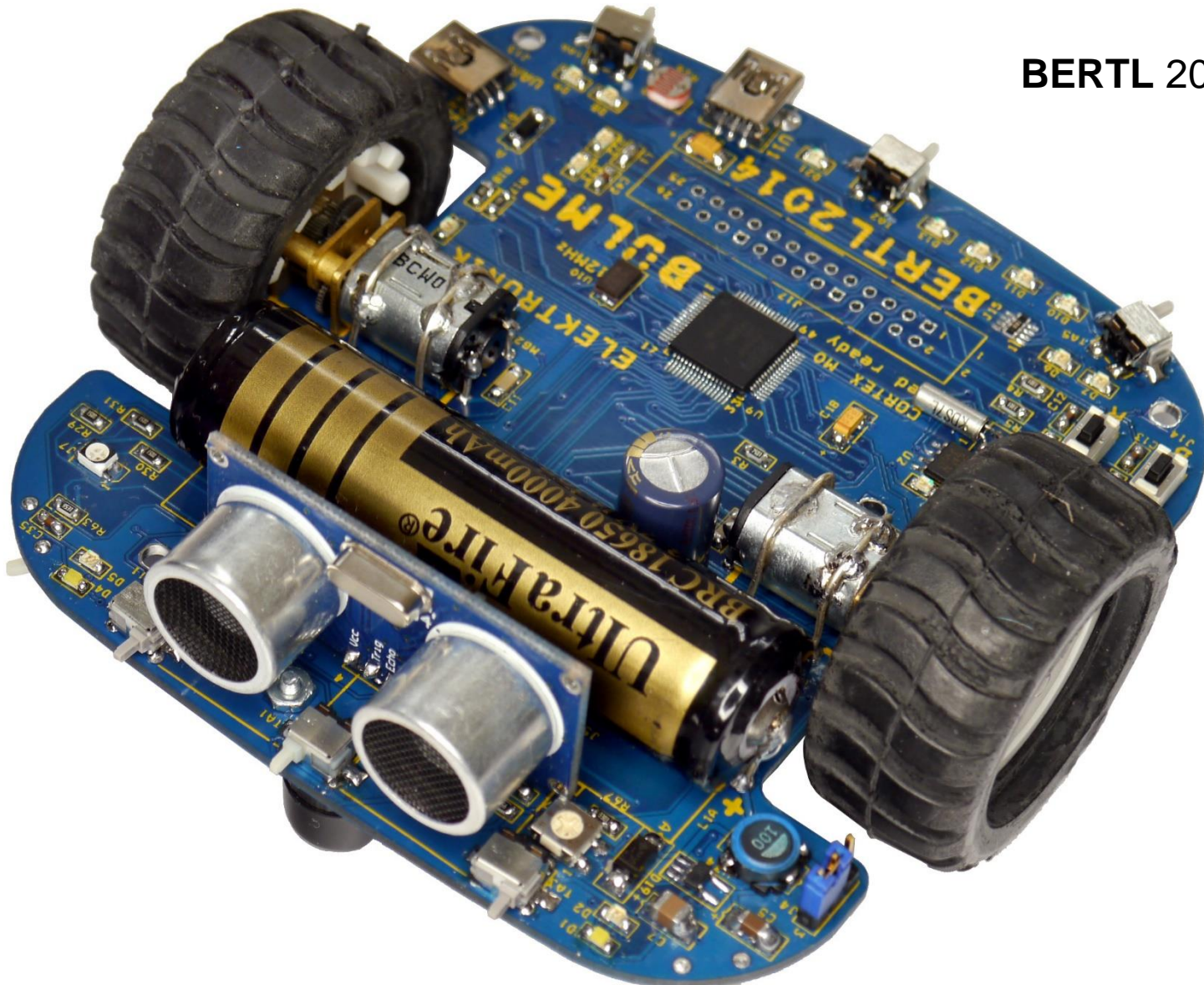
CORTEX-M0-Board: BULME GRAZ, Werkstätte 2012, Materialkosten 9€



CORTEX-M0-Board: BULME GRAZ, Werkstätte 2013, Materialkosten 5..20€



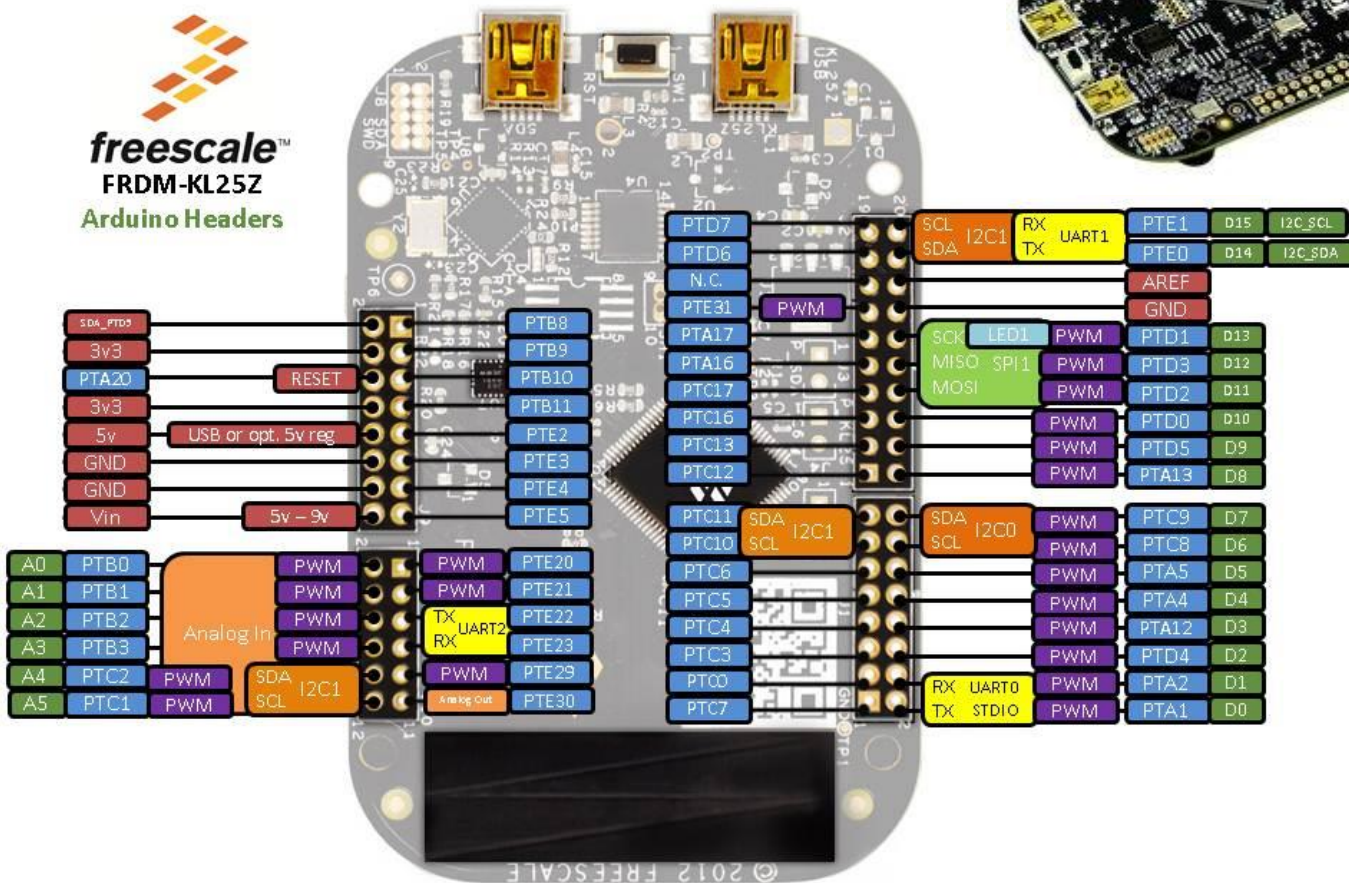
BERTL 2014





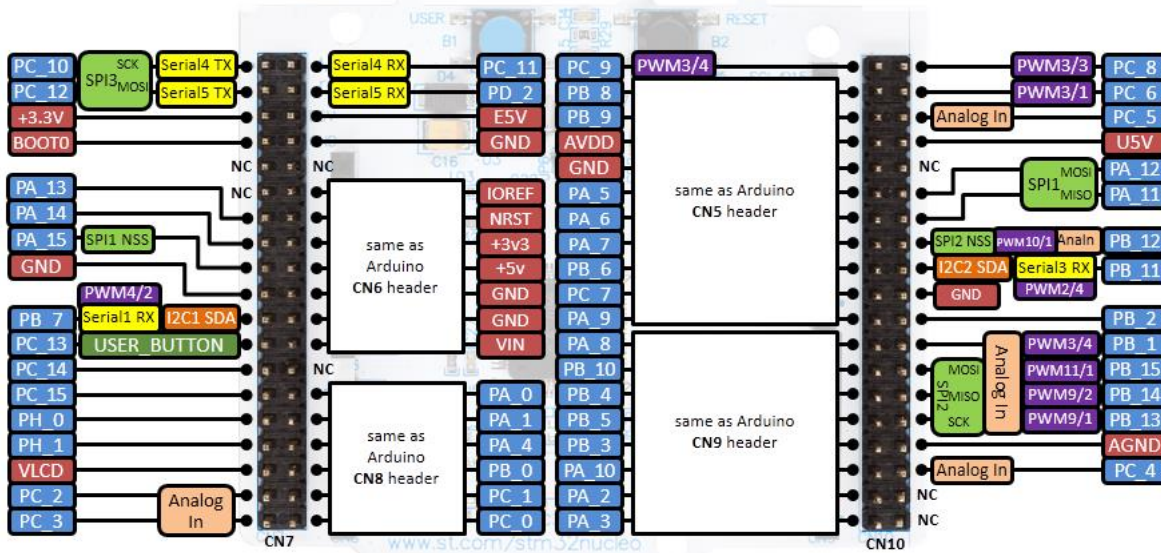
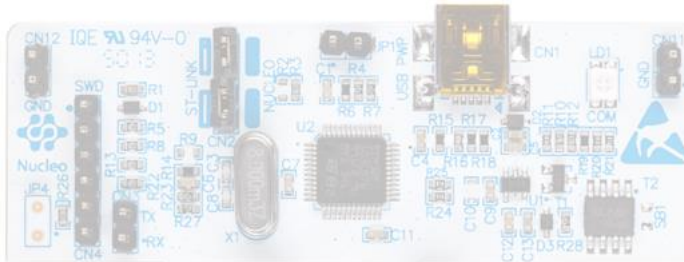
Neu - 2015

freescale™
FRDM-KL25Z
Arduino Headers



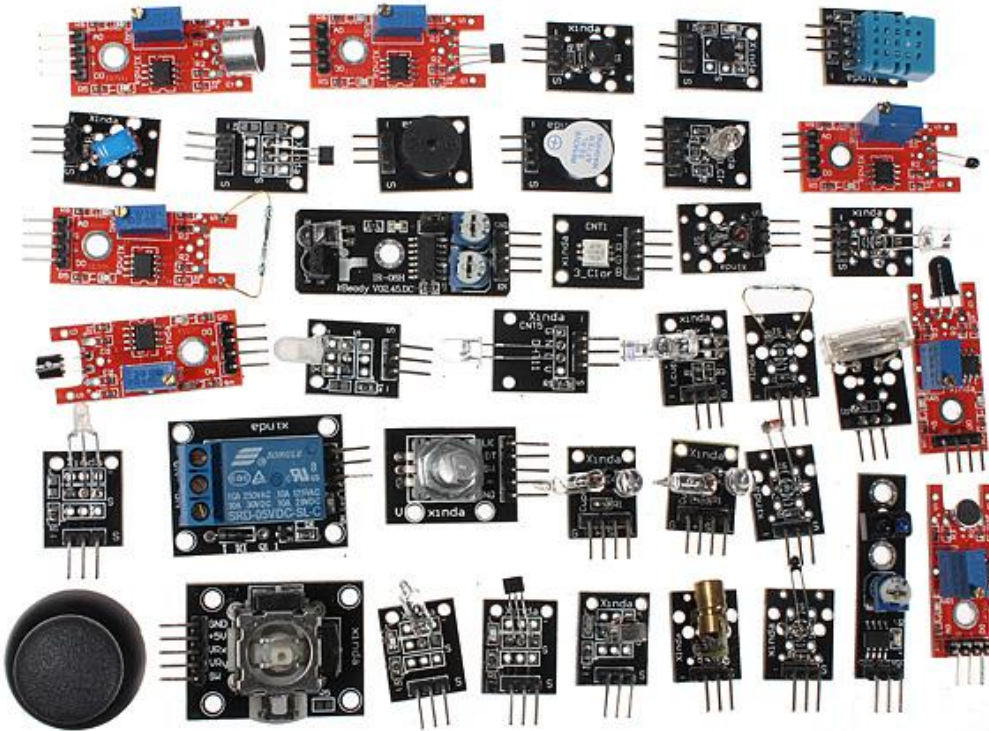
**High performance
ARM® Cortex™-M0+
Core**
**48MHz, 16KB RAM,
128KB FLASH**
USB (Host/Device)
SPI (2)
I2C (2)
UART (3)
PWM (TPM)
ADC (16 bit)
DAC (1x 12bit)
Touch Sensor
GPIO (66)

FTKL-Tagung 2014, mbed&co, BULME Graz

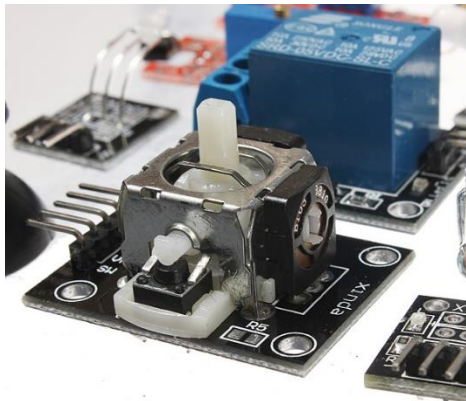


- ARM Cortex-M3 CPU at 32MHz
- 512 KBytes Flash
- Segments LCD direct control for up to 8x40 segments
- 3x Op-Amp
- 12bit ADC 1 Msps up to 40 channels
- 12bit DAC 2 channels
- 2x Comparators
- USB 2.0 Full Speed
- Up to 5x USARTs, 3x SPIs 16Mbit/s, 2x I2C, SDIO
- Up to 34 capacitive sensing channels
- Up to 11x timers

FTKL-Tagung 2014, mbed&co, BULME Graz



- 1 x Small passive buzzer module KY-006
- 1 x 2-color LED module KY-011
- 1 x Hit sensor module KY-031
- 1 x Vibration switch module KY-002
- 1 x Photo resistor module KY-018
- 1 x Key switch module KY-004
- 1 x Tilt switch module KY-020
- 1 x 3-color full-color LED SMD modules KY-009
- 1 x Infrared emission sensor module KY-005
- 1 x 3-color LED module KY-016
- 1 x Mercury open optical module KY-017
- 1 x Yin Yi 2-color LED module 3MM KY-029
- 1 x Active buzzer module KY-012
- 1 x Temperature sensor module KY-013
- 1 x Automatic flashing colorful LED module KY-034
- 1 x Mini magnetic reed modules KY-021
- 1 x Hall magnetic sensor module KY-003
- 1 x Infrared sensor receiver module KY-022
- 1 x Class Bihor magnetic sensor KY-035
- 1 x Magic light cup module KY-027
- 1 x Rotary encoder module KY-040
- 1 x Optical broken module KY-010
- 1 x Detect the heartbeat module KY-039
- 1 x Reed module KY-025
- 1 x Obstacle avoidance sensor module KY-032
- 1 x Hunt sensor module KY-033
- 1 x Microphone sound sensor module KY-038
- 1 x Laser sensor module KY-008
- 1 x 5V relay module KY-019
- 1 x Temperature sensor module KY-001
- 1 x Temperature sensor module KY-028
- 1 x Linear magnetic Hall sensors KY-024
- 1 x Flame sensor module KY-026
- 1 x Sensitive microphone sensor module KY-037
- 1 x Temperature and humidity sensor module KY-015
- 1 x XY-axis joystick module KY-023
- 1 x Metal touch sensor module KY-036
- 1 x Transparent plastic tool box



**37 Module
EUR 30,--**



LIPO-Akkus, 3.7V geschützt und ungeschützt



Bauform 18650

LIPO 3,7V/4Ah ca. 4€



Bauform 14500 (AA)

LIPO 3,7V/1Ah ca. 3€



Auf Überladungsschutz
achten!!!

Weitere Bauformen:

26650 bis 6 Ah

18350

18500

18700

16340 ... CR123A

10440 ... (AAA), ... 600 mAh

..... weitere folgen



Vielen Dank!